

## Flush Mount Room Temperature Sensor

### Product Description

The Flush Mount Room Temperature Sensor is a 10K ohm self-contained, non-intrusive and tamper-resistant unit. The sensor connects to the RJ-11 port of the controller via a pre-terminated cable.

### Product Number

540-520

### Required Tools

- 5/64 hex head Allen wrench

### Expected Installation Time

5 minutes

### Prerequisites

- 2-inch x 4-inch utility box, installed per Mounting Instructions.
- Field wiring, pre-terminated cable, pulled to the utility box.

### Mounting Instructions (Utility Box)

Select a location for the sensor based on the following guidelines:

- Locate sensor near the middle of an inside wall, approximately five feet (1.5 m) from the floor.
- Do not mount:
  - in direct sunlight or drafts, or near diffusers.
  - behind doors or drapes.
  - on walls used as return air plenums.

### Installation

1. Make the wiring connection by plugging the pre-terminated cable into the RJ-11 jack of the sensor unit.
2. Push all wires into the utility box.
3. Using the hex head Allen wrench, mount the sensor assembly to the utility box with the special security screws mounted on the sensor.

The installation is now complete.

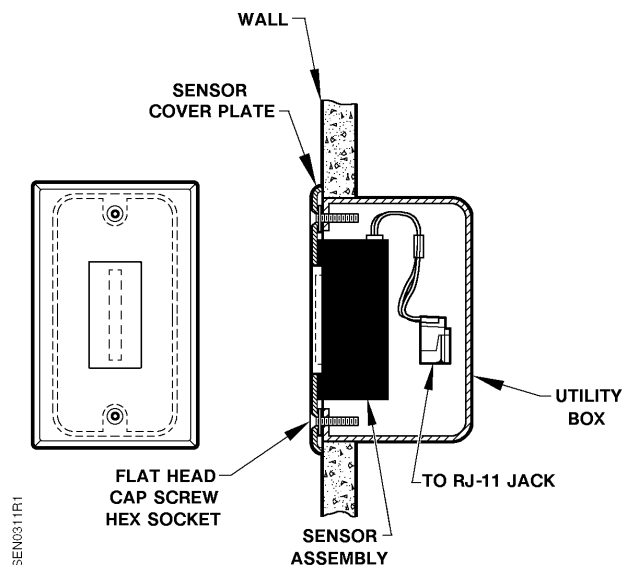


Figure 1. Installing the Sensor.

Information in this publication is based on current specifications. The company reserves the right to make changes in specifications and models as design improvements are introduced. Other product or company names mentioned herein may be the trademarks of their respective owners. © 2001 Siemens Building Technologies, Inc.