



171C Series 6-Way Ball Valves

Description

The 171C Series 6-way ball valves couple with the GDE161.1P OpenAir™ Actuator to provide single valve and actuator changeover and control of hot and chilled water for heated/chilled beam applications or any four-pipe system.

Features

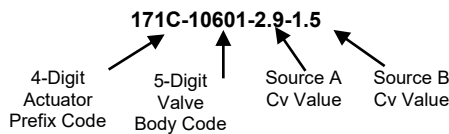
- Control two media sources (hot and chilled water) to a single coil with one valve and actuator.
- Large C_v range (0.3 to 4.7 C_v) for each media source.
- 1/2-, 3/4- and 1-inch line size connections.
- Built-in pressure compensation function.
- Zero leakage - No mixing of hot and chilled water.

Product Numbers

Use the product numbers in Table 1 through Table 3 to order a valve and an actuator assembly.

The valve and actuator assembly product number consists of the 171C actuator prefix code, a hyphen, a 5-digit valve body code, a hyphen, the source A C_v value, a hyphen, and the source B C_v value.

Valve and Actuator Product Number Example:



Accessories

Part Number	Description
ASK77.3	Mounting bracket for GDE Actuator
599-10660	1/2" Small Tailpieces (6 pack)
599-10662	3/4" Tailpieces (6 pack)
599-10663	1" Tailpieces (6 pack)

Technical Data

Typical Specifications

The 6-way ball valve, using a single actuator, shall switch (changeover) and control two media sources serving a single coil or heating/cooling beam (chilled beam). The 6-way ball valve shall have a linear flow characteristic for both media sources. The valve shall be closed to flow at mid-rotation (45°). The 6-way valves shall be capable of direct connection to 1/2", 3/4" or 1" NPT piping with NPT union female connections.

Valve Specifications

Body material:	Hot pressed brass CW617N
Ball:	Chrome plated brass
Stem:	Stainless steel, blow-out proof
C _v inserts:	Stainless steel
Body pressure rating:	232 psi (PN16)
Maximum differential pressure:	29 psi
Close-off pressure	58 psi (4 bar)
Leakage rate:	0%
Line size:	1/2-inch to 1-inch (15 mm to 25 mm)
Connection:	NPT union, female
Medium temperature range:	41°F to 194°F (5°C to 90°C)
Flow characteristic:	Linear

Actuator Specifications (GDE161.1P)

Operating voltage:	24 Vac
Signal:	0 to 10 Vdc
Failure mode:	Non-spring return (fail-in-place)
Manual override:	Yes
Power consumption:	2 to 30 VA (normal operation)
Run time:	90 seconds
Agency Certification:	
UL	Meets UL 873
cUL	Certified to Canadian Standard C22.2 No. 24.93
Mounting Location	NEMA 1 (Interior only)

Valve and Actuator Assembly

Weight in lb (kg)	171C-10600... 6.8 (3.08)
	171C-10601... 7.6 (3.45)
	171C-10602... 8.4 (3.81)

Additional References:

599 Series 6-Way Ball Valves Technical Instructions (155-803)

OpenAir™ Electric Damper Actuators GDE/GLB Series Non-Spring Return Rotary 24 Vac - Modulating Control 0 to 10 Vdc Technical Instructions (155-187P25)

Table 1. 1/2-Inch Valve and Actuator Assemblies.


Line Size, Inch (mm)	Source A C _v Value	Source B C _v Value	Non-Spring Return, 0 to 10V GDE161.1P
			 Actuator Prefix Code 171C
1/2 (15)	0.3	0.3	171C-10600-0.3-0.3
	0.3	0.5	171C-10600-0.3-0.5
	0.3	0.8	171C-10600-0.3-0.8
	0.3	1.2	171C-10600-0.3-1.2
	0.3	1.5	171C-10600-0.3-1.5
	0.3	1.9	171C-10600-0.3-1.9
	0.5	0.3	171C-10600-0.5-0.3
	0.5	0.5	171C-10600-0.5-0.5
	0.5	0.8	171C-10600-0.5-0.8
	0.5	1.2	171C-10600-0.5-1.2
	0.5	1.5	171C-10600-0.5-1.5
	0.5	1.9	171C-10600-0.5-1.9
	0.8	0.3	171C-10600-0.8-0.3
	0.8	0.5	171C-10600-0.8-0.5
	0.8	0.8	171C-10600-0.8-0.8
	0.8	1.2	171C-10600-0.8-1.2
	0.8	1.5	171C-10600-0.8-1.5
	0.8	1.9	171C-10600-0.8-1.9
	1.2	0.3	171C-10600-1.2-0.3
	1.2	0.5	171C-10600-1.2-0.5
	1.2	0.8	171C-10600-1.2-0.8
	1.2	1.2	171C-10600-1.2-1.2
	1.2	1.5	171C-10600-1.2-1.5
	1.2	1.9	171C-10600-1.2-1.9
	1.5	0.3	171C-10600-1.5-0.3
	1.5	0.5	171C-10600-1.5-0.5
	1.5	0.8	171C-10600-1.5-0.8
	1.5	1.2	171C-10600-1.5-1.2
	1.5	1.5	171C-10600-1.5-1.5
	1.5	1.9	171C-10600-1.5-1.9
1.9	0.3	171C-10600-1.9-0.3	
1.9	0.5	171C-10600-1.9-0.5	
1.9	0.8	171C-10600-1.9-0.8	
1.9	1.2	171C-10600-1.9-1.2	
1.9	1.5	171C-10600-1.9-1.5	
1.9	1.9	171C-10600-1.9-1.9	

Table 2. 3/4-Inch Valve and Actuator Assemblies.


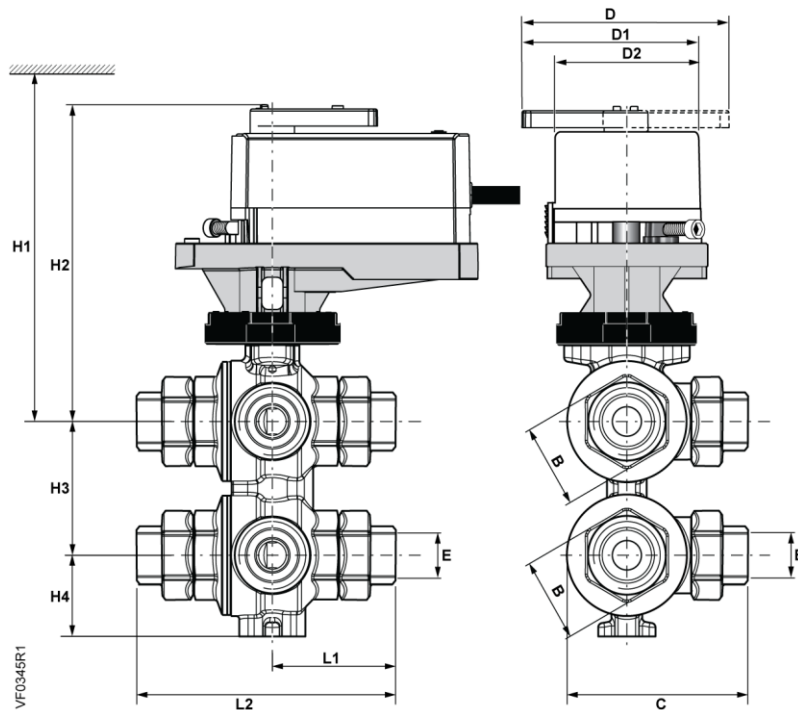
Line Size, Inch (mm)	Source A C _v Value	Source B C _v Value	Non-Spring Return, 0 to 10V GDE161.1P
			 Actuator Prefix Code 171C
3/4 (20)	0.8	0.8	171C-10601-0.8-0.8
	0.8	1.2	171C-10601-0.8-1.2
	0.8	1.5	171C-10601-0.8-1.5
	0.8	1.9	171C-10601-0.8-1.9
	0.8	2.9	171C-10601-0.8-2.9
	0.8	4.0	171C-10601-0.8-4.0
	0.8	4.7	171C-10601-0.8-4.7
	1.2	0.8	171C-10601-1.2-0.8
	1.2	1.2	171C-10601-1.2-1.2
	1.2	1.5	171C-10601-1.2-1.5
	1.2	1.9	171C-10601-1.2-1.9
	1.2	2.9	171C-10601-1.2-2.9
	1.2	4.0	171C-10601-1.2-4.0
	1.2	4.7	171C-10601-1.2-4.7
	1.5	0.8	171C-10601-1.5-0.8
	1.5	1.2	171C-10601-1.5-1.2
	1.5	1.5	171C-10601-1.5-1.5
	1.5	1.9	171C-10601-1.5-1.9
	1.5	2.9	171C-10601-1.5-2.9
	1.5	4.0	171C-10601-1.5-4.0
	1.5	4.7	171C-10601-1.5-4.7
	1.9	0.8	171C-10601-1.9-0.8
	1.9	1.2	171C-10601-1.9-1.2
	1.9	1.5	171C-10601-1.9-1.5
	1.9	1.9	171C-10601-1.9-1.9
	1.9	2.9	171C-10601-1.9-2.9
	1.9	4.0	171C-10601-1.9-4.0
	1.9	4.7	171C-10601-1.9-4.7
	2.9	0.8	171C-10601-2.9-0.8
	2.9	1.2	171C-10601-2.9-1.2
	2.9	1.5	171C-10601-2.9-1.5
	2.9	1.9	171C-10601-2.9-1.9
	2.9	2.9	171C-10601-2.9-2.9
	2.9	4.0	171C-10601-2.9-4.0
	2.9	4.7	171C-10601-2.9-4.7
	4.0	0.8	171C-10601-4.0-0.8
	4.0	1.2	171C-10601-4.0-1.2
	4.0	1.5	171C-10601-4.0-1.5
	4.0	1.9	171C-10601-4.0-1.9
	4.0	2.9	171C-10601-4.0-2.9
4.0	4.0	171C-10601-4.0-4.0	
4.0	4.7	171C-10601-4.0-4.7	
4.7	0.8	171C-10601-4.7-0.8	
4.7	1.2	171C-10601-4.7-1.2	
4.7	1.5	171C-10601-4.7-1.5	
4.7	1.9	171C-10601-4.7-1.9	
4.7	2.9	171C-10601-4.7-2.9	
4.7	4.0	171C-10601-4.7-4.0	
4.7	4.7	171C-10601-4.7-4.7	

Table 3. 1-Inch Valve and Actuator Assemblies.

Line Size, Inch (mm)	Source A Cv Value	Source B Cv Value	Non-Spring Return, 0 to 10V, GDE161.1P
			Actuator Prefix Code 171C
1 (25)	1.9	1.9	171C-10602-1.9-1.9
	1.9	2.9	171C-10602-1.9-2.9
	1.9	4.0	171C-10602-1.9-4.0
	1.9	4.7	171C-10602-1.9-4.7
	2.9	1.9	171C-10602-2.9-1.9
	2.9	2.9	171C-10602-2.9-2.9
	2.9	4.0	171C-10602-2.9-4.0
	2.9	4.7	171C-10602-2.9-4.7
	4.0	1.9	171C-10602-4.0-1.9
	4.0	2.9	171C-10602-4.0-2.9
	4.0	4.0	171C-10602-4.0-4.0
	4.0	4.7	171C-10602-4.0-4.7
	4.7	1.9	171C-10602-4.7-1.9
	4.7	2.9	171C-10602-4.7-2.9
	4.7	4.0	171C-10602-4.7-4.0
4.7	4.7	171C-10602-4.7-4.7	



	171C-10600...	171C-10601...	171C-10602...
Line Size	1/2 (15)	3/4 (20)	1 (25)
B	1.00 (25)	1.50 (38)	
C	3.44 (87)	4.25 (108)	4.50 (114)
D	3.98 (101)		
D1	3.44 (88)		
D2	2.91 (74)		
E	0.50 (15)	0.75 (20)	1.00 (25)
H1	13.75 (349)		
H2	5.75 (146)		
H3	1.75 (45)	2.36 (60)	
H4	1.13 (29)	1.42 (36)	
L1	2.81 (71)	3.31 (84)	3.50 (89)
L2	5.63 (143)	6.63 (168)	7.00 (178)

Figure 1. 6-way Ball Valve with Actuator Dimensions in Inches (Millimeters).

Information in this publication is based on current specifications. The company reserves the right to make changes in specifications and models as design improvements are introduced. OpenAir is a trademark of Siemens Schweiz AG. Other product or company names mentioned herein may be the trademarks of their respective owners. © 2017 Siemens Industry, Inc.