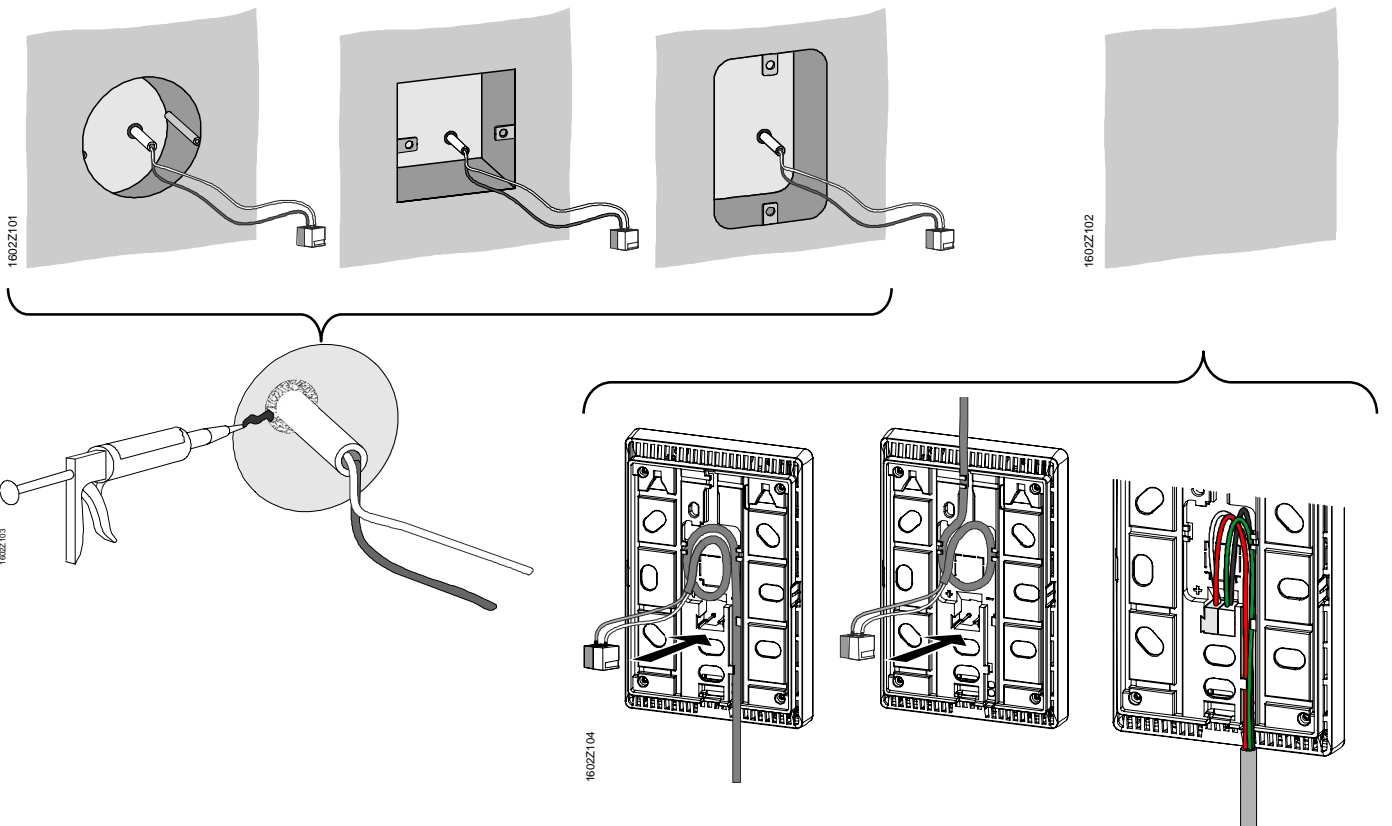
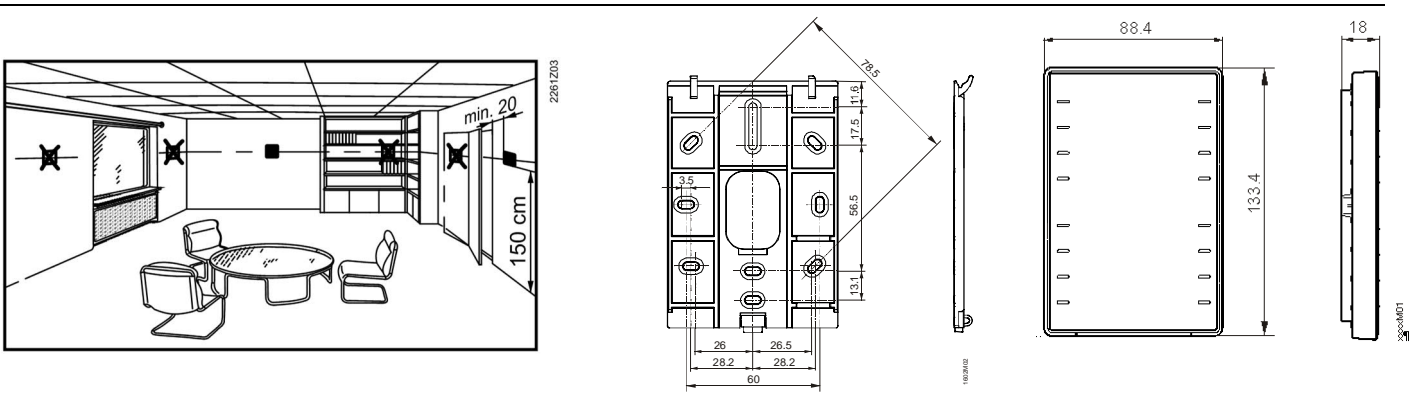
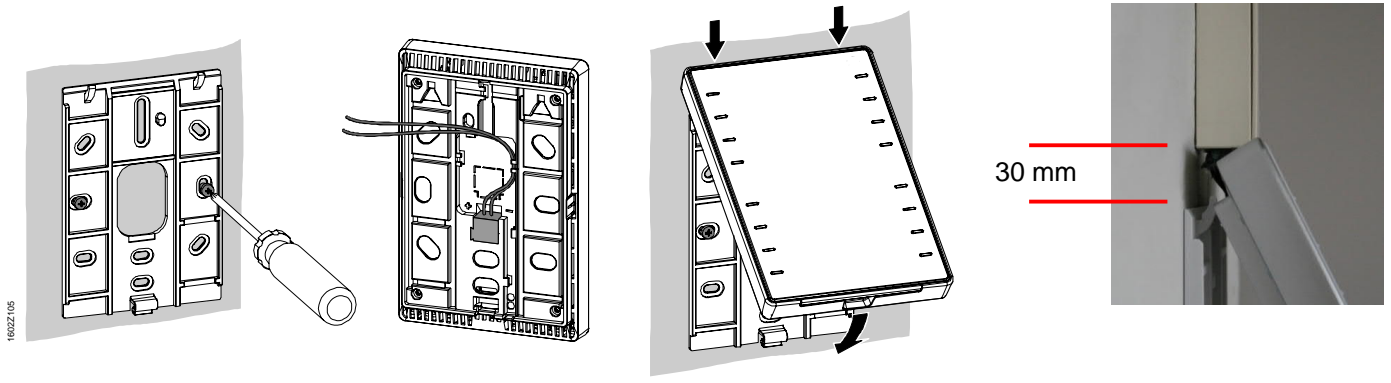




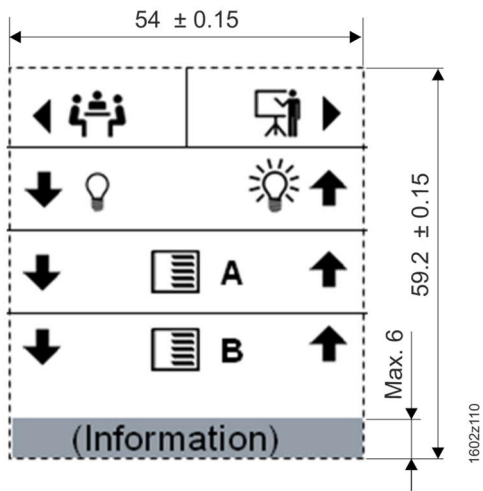
- QMX3.P02
- QMX3.P30
- QMX3.P34
- QMX3.P37
- QMX3.P40
- QMX3.P44
- QMX3.P70
- QMX3.P74
- QMX3.P87

QMX3. P37 P34/44/74 P02 P70 P30/P40 P87

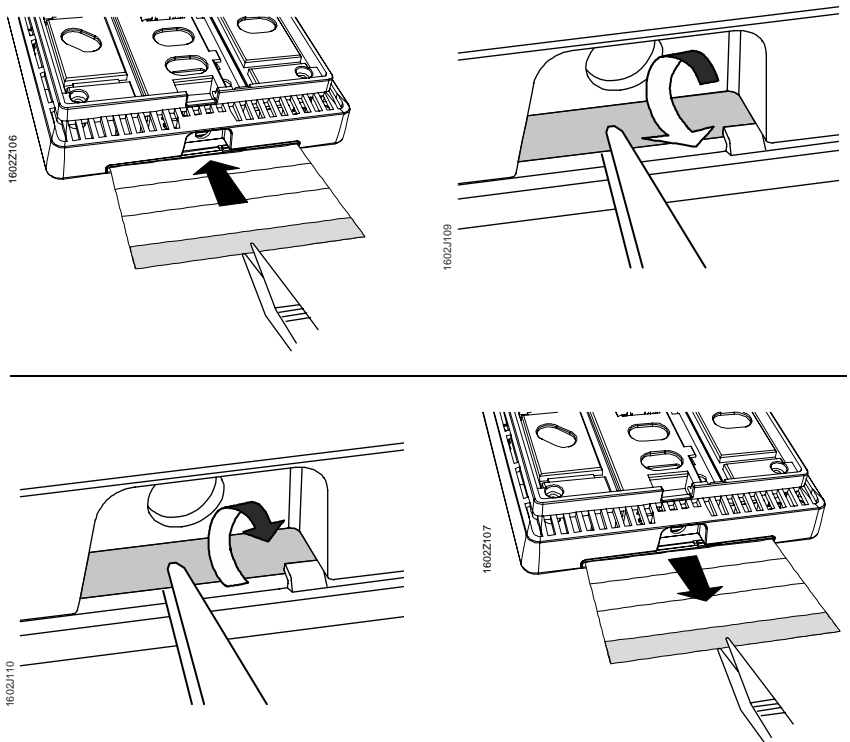




QMX3.P02, QMX3.P37



↓
Inlay template: see CM2M1602.1
<http://siemens.com/bt/download>



Service

