

OpenAir™ GEB Series, Non-spring Return, 24 Vac, 132 lb-in, Direct-Coupled Electronic Damper Actuators

Product Number	Operating Voltage	Control		Cable		Built-in Control Options			
		Modulating (0 to 10 Vdc)	Floating	Plenum	Standard	Position Feedback	Dual Auxiliary Switches	Offset and Span	Input Signal Selectable 0-10 Vdc or 2-10 Vdc
GEB131.1U	•	-	•	-	•	-	-	-	-
GEB131.1P	•	-	•	•	-	-	-	-	-
GEB132.1U	•	-	•	-	•	•	-	-	-
GEB136.1U	•	-	•	-	•	-	•	-	-
GEB161.1U	•	•	-	-	•	•	-	-	•
GEB161.1P	•	•	-	•	-	•	-	-	•
GEB164.1U	•	•	-	-	•	•	•	•	-

Technical Data

Torque:	132 lb-in (15 Nm)		
Frequency:	50/60 Hz		
Runtime for 90°:	125 seconds (60 Hz) 150 seconds (50 Hz)		
Power consumption	Running	Holding	
GEB161x	5 VA/4W	1 VA/1W	
GEB131x	3 VA/3W		
Equipment rating (24 Vac):	Class 2 per UL/CSA		
Angle of rotation:	90° nominal, 95° max.		
Shaft dimensions:	1/4 to 3/4-in. (6 to 20.5 mm) diameter 1/4 to 1/2-in. (6.4 to 13 mm) square 3/4-in. (20 mm) min. length		
Operating temperature:	-25 to 130°F (-32 to 55°C)		
Storage temperature:	-40 to 158°F (-40 to 70°C)		
Ambient humidity:	95% rh (non-condensing)		
Pre-cabled connection:	18 AWG, 3 ft (0.9 m) long		
Enclosure:	NEMA 1		
Material:	Die cast aluminum alloy		
Agency listings:	UL60730 (to replace UL873) cUL C22.2 No. 24-93		
CE Conformity:			
Electromagnetic compatibility (EMC)	2004/108/EC		
Emissions Standards	EN61000-6-3		
Immunity Standards	EN61000-6-1		
Gear Lubrication:	Silicone-free		
Dimensions: Inches (mm)	8-3/8 H × 3-1/4 W × 2-2/3 D (212 H × 83 W × 68 D)		
Weight:	2.2 lb (1 kg)		
Country of Origin	USA		

Description

The OpenAir non-spring return, direct-coupled, electronic damper actuator provides modulating and floating control of building HVAC dampers.



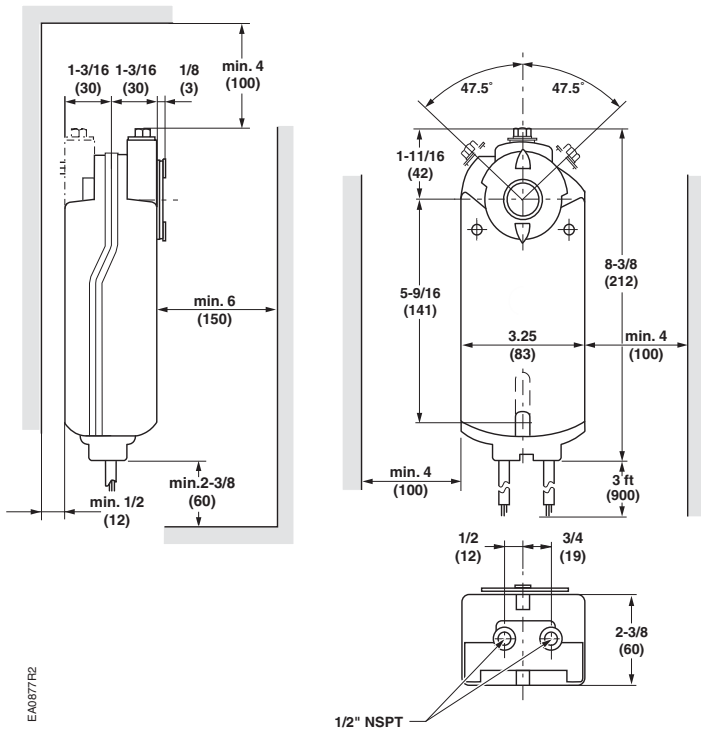
Features

- Brushless motor technology
- Unique self-centering shaft coupling
- Models available with dual independently adjustable auxiliary switches
- Floating control models available with feedback potentiometer
- All modulating control models include built-in feedback capability
- All metal housing
- Manual override
- Mechanical range adjustment capability
- Easily visible position indicator
- Pre-cabled
- UL60730 (to replace UL873) and cUL (C22.2 No. 24-93) listed, CE certification
- Small actuator footprint with 132 lb-in (16 Nm) of torque

Typical Specifications

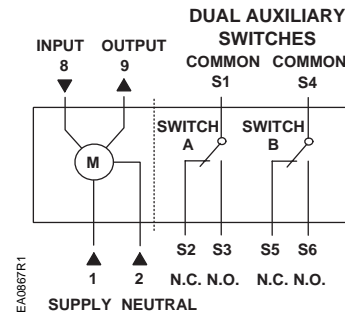
All non-spring return damper actuators shall be direct-coupled and require no connecting linkages. The non-spring return actuators have a self-centering damper shaft coupling that assures concentric alignment of the actuator's output coupling with the damper shaft. It is capable of direct mounting to a shaft up to 3/4-inch diameter. Actuators shall provide stall protection throughout the full range of rotation. These non-spring return actuators are capable of both clockwise and counterclockwise operation. Actuators shall hold position in the event of a power failure. The actuator returns to the 0 position when so commanded or when the control signal of the modulating actuator is zero. Actuator shall provide a means of manually positioning the output coupling in the absence of power. Dual, independent, adjustable auxiliary switches are available. The actuators are pre cabled and provide an easy, readable high contrast yellow on black position indicator. Actuators are UL60730 (to replace UL873) and CSA22.2 listed, CE certified and manufactured under ISO 9002 and ISO 14000 procedures. Actuators shall be as manufactured by Siemens Industry, Inc.

Dimensions in Inches (Millimeters)

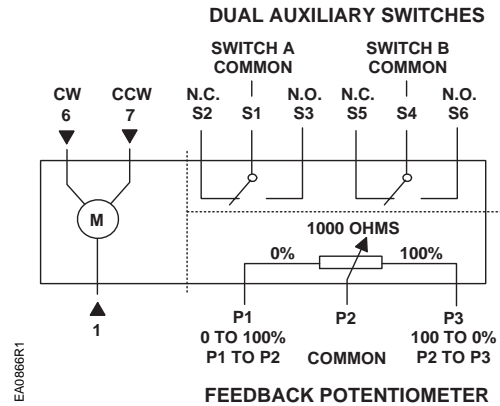


Wiring Diagrams

Modulating (0 to 10 Vdc), 24Vac



Floating, 24 Vac:



Information in this publication is based on current specifications. The company reserves the right to make changes as design improvements are introduced. OpenAir is a registered trademark of Siemens Schweiz AG. Product or company names mentioned herein may be the trademarks of their respective owners. © 2011 Siemens Industry, Inc.