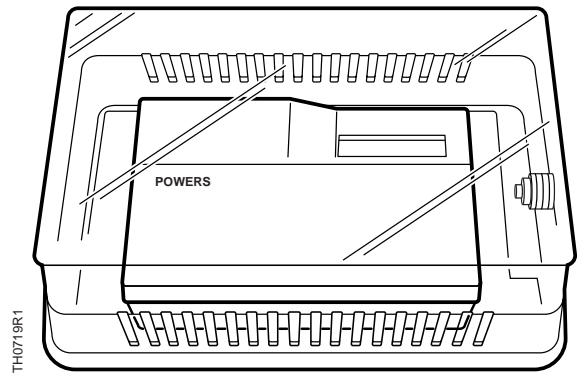


Lockable Thermostat Guard



Description	A two-piece, plastic shield designed to prevent unauthorized adjustment or physical damage to a wall-mounted thermostat. A lockset secures the guard to the wall plate.	
Features	<ul style="list-style-type: none"> • Two styles of wall plates are included to accommodate new installations or retrofit jobs. • Clear, 1/8-inch thick, plastic surface provides unrestricted viewing of thermostat settings. • Lock and two keys. • Ventilated louvers on all four sides allow accurate temperature sensing. 	
Specifications	Guard cover Mounting plates Retrofit installation New installation Dimensions Weight	1/8-inch, clear plastic Clear plastic Desert beige plastic 10 x 6-1/4 x 3-3/4 inches (254 x 158.75 x 95.25 mm) 1.25 lbs (0.57 kg)
Application	<p>The Lockable Thermostat Guard provides protection from physical damage and unauthorized adjustment of settings. The lockset makes this unit truly vandal-proof. This guard will protect any Siemens Building Technologies electric or pneumatic wall-mounted thermostat.</p> <p>The mounting plate designed for new installations has a small, back entry hole to accommodate electrical wires or pneumatic tubing connected to the thermostat. The retrofit mounting plate is a large frame with four mounting screw holes to allow installation over any existing Siemens thermostat.</p>	
Product Number	141-570	

Mounting

This guard can be used with all types of wall surfaces including plaster, brick, tile, cement block, and drywall. It can be mounted either vertically or horizontally.

Required Tools

- Medium, flat-blade screwdriver (all installations)
- Drill and 3/16-inch drill bit (new installations only)

Installation

For new installations (desert beige mounting plate – Item 6):

- Mount plate before installing thermostat.
- When installing to a 2" x 4" wall box:
 - Punch or drill out mounting holes in the plate at the proper locations.
 - Use two No. 6-32 x 1-inch long screws for mounting (Item 5).
- When installing directly to drywall, use four No. 6-18 self-tapping screws (Item 2).

For retrofit installations (clear plastic mounting ring – Item 3), use four No. 6-18 self-tapping screws (Item 2).

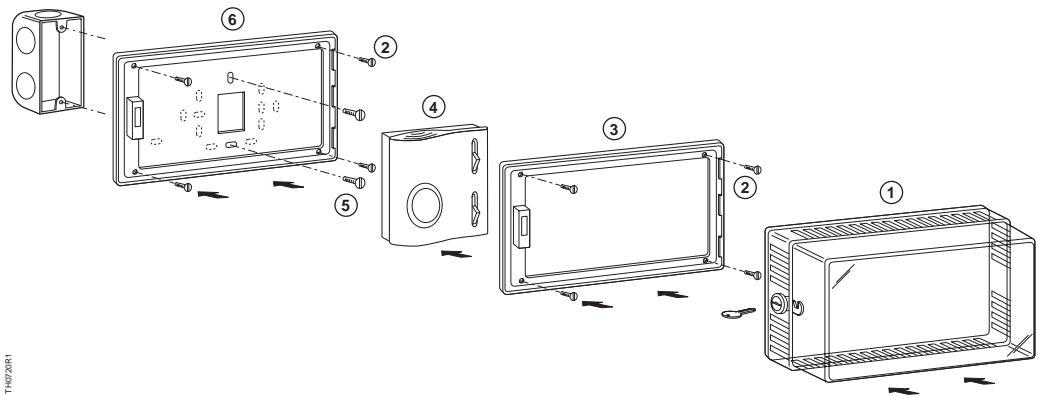


Figure 1. Installing the Lockable Thermostat Guard.

Table 1. Lockable Thermostat Guard Components.

Item	Description	Quantity	Material
1	Cover	1	Plastic
2	No. 6-18 x 1-1/4 inch self-tapping screws	4	Steel
3	Mounting Plate, clear (retrofit installation)	1	Plastic
4	Thermostat (not included)	1	—
5	No. 6-32 x 1-inch screw	2	Steel
6	Mounting Plate, desert beige (new installation)	1	Plastic
	Keys	2	—

Information in this publication is based on current specifications. The company reserves the right to make changes in specifications and models as design improvements are introduced. Other product or company names mentioned herein may be the trademarks of their respective owners.
 © 2002 Siemens Building Technologies, Inc.