



OpenAir™

Air damper actuators

GDB...2
GLB...2

Electronic motor-driven linear actuators for three-position and modulating control

- AC 24 V / AC 230 V
- Nominal force 125 N (GDB) / 250 N (GLB)
- Travel 60 mm, mechanical adjustable
- Connection cable PVC, 0.9 m

Type-specific variations:

- Adjustable offset and span (Positioning signal)
- Position indicator
- Self-adaptation linear span
- 2 adjustable auxiliary switches

Remarks

This data sheet provides a brief overview of these actuators. Please refer to the Technical Basics in document Z4664en for a detailed description as well as information on safety, engineering notes, mounting and commissioning.

Use

- For damper areas up to 0.8 m² (GDB) / 1.5 m² (GLB), friction-dependent.
- Suitable for modulating controllers (DC 0...10 V) or three-position controllers (e.g. rotary and linear dampers at air outlets).

Type summary

GDB.../GLB...	131.2E	136.2E	331.2E	336.2E ¹⁾	161.2E	163.2E
Control type	Three-position control			Modulating control		
Operating voltage AC 24 V	X	X			X	X
Operating voltage AC 230 V			X	X		
Positioning signal Y DC 0...10 V					X	
DC 0...35 V with character- istic function U_o , ΔU						X
Position indicator $U = DC 0...10 V$					X	X
Self-adaptation of linear span					X	X
Auxiliary switches (two)		X		X		
Linear direction switch					X	X

¹⁾ While stocks last




Functions

Type	GDB.3..2 / GLB.3..2	GDB16..2 / GLB16..2
Control type	Three-position control	Modulating control
Positioning signal with ad- justable characteristic func- tion		DC 0...35 V at Offset $U_o = 0...5 V$ Span $\Delta U = 2...30 V$
Linear travel direction	The direction of linear travel depends on... ...the type of control. With no power ap- plied, the actuator remains in the respec- tive position.	
Position indication		Position indicator: Output voltage $U = DC 0...10 V$ is generated proportional to the linear travel. U depends of DIL switch setting.
Auxiliary switch	The switching points for auxiliary switches A and B can be set independent of each other in increments of 3.4 between 3.4 and 57.1 mm.	
Self-adaptation of linear span		When self-adaptation is active, the actua- tor automatically determines the mechan- ical end positions of the linear span and maps the characteristic function (U_o , ΔU) to the calculated linear span.
Linear limitation	Stepless limitation between 0 and 60 mm for the linear travel is possible by means of a clamp from the linear/rotary set ASK55.2	

Ordering

Note	Auxiliary switches cannot be added in the field.
Accessories, spare parts	Accessories to functionally extend the actuators are available, e.g., various linear/rotary sets; see data sheet N4698 .

Technical data

 AC 24 V supply (SELV/PELV)	Operating voltage / Frequency	AC 24 V ± 20 % / 50/60 Hz			
	Power consumption GDB13..2 / GLB13..2	2 VA / 1 W			
	GDB16..2 / GLB16..2 Push rod moves Holding	3 VA / 2 W 1 W			
 AC 230 V supply	Operating voltage / Frequency	AC 230 V ± 10 % / 50/60 Hz			
	Power consumption GDB33..2/GLB33..2	2 VA / 1 W			
Function data	Nominal linear force	125 N (GDB) / 250 N (GLB)			
	Maximum linear force	180 N (GDB) / 350 N (GLB)			
	Maximum linear travel	60 mm			
	Runtime for 60 mm linear travel	150 s (50 Hz) / 125 s (60 Hz)			
Positioning signal Y for GDB/GL	Input voltage Y (wires 8-2)	DC 0...10 V, intern limited of DC 10 V			
	Max. permissible input voltage	DC 35 V			
Characteristic functions for GDB161.2 for GDB163.2	Input voltage Y (wires 8-2)	DC 0...35 V			
	Non-adjustable characteristic function	DC 0...10 V			
	Adjustable characteristic function				
	Offset U _o	DC 0...5 V			
	Span ΔU	DC 2...30 V			
Position indicator for GDB/GLB16..2	Output voltage U (wires 9-2)	DC 0...10 V or DC 10...0 V			
	Max. output current	DC ± 1 mA			
 Auxiliary switches for GDB/GLB..6.2	Contact rating	6 A resistive, 2 A inductive			
	Voltage (no mixed operation AC 24 V / AC 230 V)	AC 24...230 V			
	Switching range for auxiliary switches	3.4...57.1 mm			
	Setting increments	3.4 mm			
Connection cables	Cross-section	0.75 mm ²			
	Standard length	0.9 m			
Degree of protection of housing	Degree of protection as per EN 60 529 (note mounting instructions)	IP 40			
Protection class	Insulation class	EN 60 730			
	AC 230 V, auxiliary switch	II			
Environmental conditions	Operation / Transport	EN 60721-3-3 / EN 60721-3-2			
	Temperature	-32...+55 °C / -32...+70 °C			
	Humidity (non-condensing)	< 95% r. F. / < 95% r. F.			
Norms and directives	Product safety: Automatic electrical controls for household and similar use (Type 1)	EN 60 730-2-14			
	Electromagnetic compatibility (Application)	For residential, commercial and industrial environments			
	EU Conformity (CE)	GDB...2	A5W00003842 ¹⁾	GLB...2	A5W00000176 ¹⁾
		UKCA Conformity	A5W00221284A ¹⁾	A5W00198019A ¹⁾	
	RCM Conformity	A5W00003843 ¹⁾	A5W00000177 ¹⁾		
	Product environmental declaration ²⁾	CM2E4634E ¹⁾			
	Dimensions	Actuator W x H x D (see "Dimensions")	70.3 x 152 x 59 mm		
		Push rod (profile)	10 x 4 mm		
	Weight	Without packaging: GDB... / GLB...	0.48 kg		

¹⁾ The documents can be downloaded from <http://siemens.com/bt/download>

²⁾ The product environmental declaration contains data on environmentally compatible product design and assessments (RoHS compliance, materials composition, packaging, environmental benefit, disposal).

Disposal

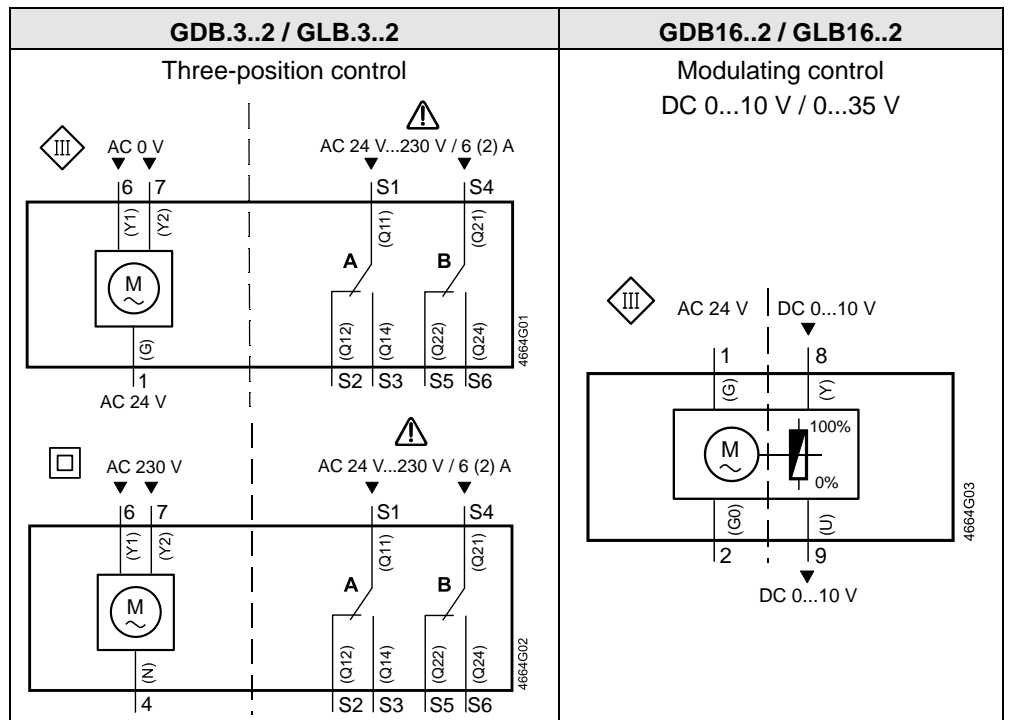


The device is considered an electronics device for disposal in terms of European Directive 2012/19/EU and may not be disposed of as domestic garbage.

Dispose of the device through channels provided for this purpose.

Comply with all local and currently applicable laws and regulations.

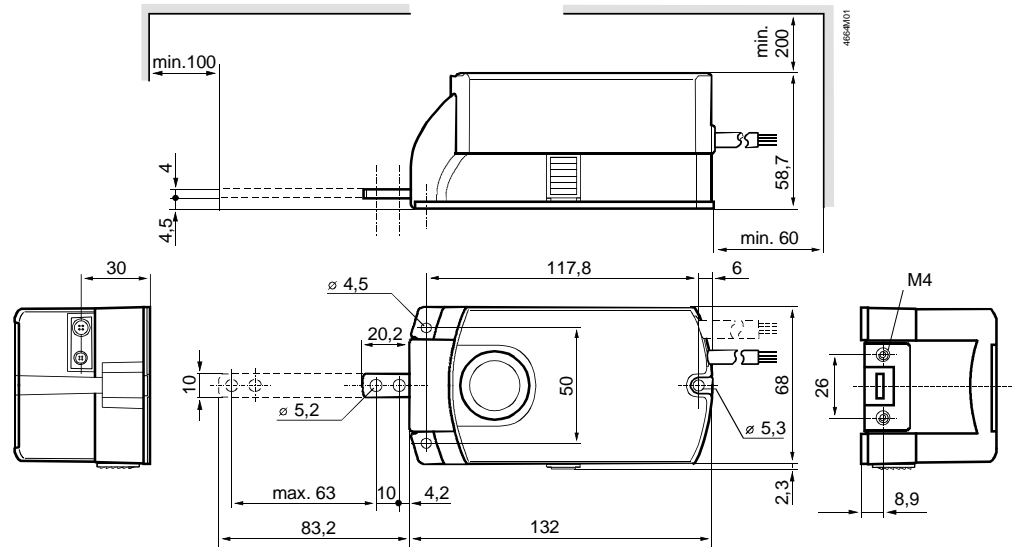
Internal diagrams



Cable labeling

Pin	Cable				Meaning
	Code	Number	Color	Abbreviation	
Actuators AC 24 V	G	1	red	RD	System potential AC 24 V
	G0	2	black	BK	System neutral
	Y1	6	purple	VT	Pos. signal AC 0 V, outward travel
	Y2	7	orange	OG	Pos. signal AC 0 V, inward travel
	U	9	pink	PK	Position indication DC 0...10 V
Actuators AC 230 V	N	4	blue	BU	Neutral conductor
	Y1	6	black	BK	Pos. signal AC 230 V, outward travel
	Y2	7	white	WH	Pos. signal AC 230 V, inward travel
Auxiliary switch	Q11	S1	grey/red	GY RD	Switch A Input
	Q12	S2	grey/blue	GY BU	Switch A Normally closed contact
	Q14	S3	grey/pink	GY PK	Switch A Normally open contact
	Q21	S4	black/red	BK RD	Switch B Input
	Q22	S5	black/blue	BK BU	Switch B Normally closed contact
	Q24	S6	black/pink	BK PK	Switch B Normally open contact

Dimensions



Dimensions in mm

Issued by:
Siemens Switzerland Ltd
Smart Infrastructure
Global Headquarters
Theilerstrasse 1a
CH-6300 Zug
+41 58 724-24 24
www.siemens.com/buildingtechnologies

© Siemens Switzerland Ltd, 2005
Technical specifications and availability subject to change without notice.