

OpenAir™ Heater Assembly

Product Description

The heater assembly provides protection for GCA, GBB, GIB, GMA and GEB OpenAir actuators in an outside low temperature application when used with ASK75.1U and ASK75.3U Weather Shield assemblies.



Contents

Weather Shield and heater assembly

Product Numbers

Part Number	Description
985-106	GCA/GBB/GIB Heater/Weather Shield Assembly
985-107	GMA/GEB Heater/Weather Shield Assembly
985-105	GCA/GBB/GIB Heater Kit
985-108	GMA/GEB Heater Kit

Warning/Caution Notations

WARNING		Personal injury/loss of life may occur if a procedure is not performed as specified.
CAUTION		Equipment damage, or loss of data may occur if the user does not follow a procedure as specified.

Required Tools

1/4-inch power nut driver

Expected Installation Time

60 minutes

Heater Power Consumption

36-Watt (35 VA) maximum

For questions and details on the Weather Shield, see *Weather Shield Installation Instructions* (129-261).

Prerequisites



CAUTION:

- Heater assemblies are for use with 24 Vac actuators only.
- Heater assembly must be used in conjunction with the Weather Shield.
- All actuators with auxiliary switches must have switch wiring routed through grounded conduit. Terminations must be in a UL approved Junction Box. See *Figure 4*.

Mounting Position

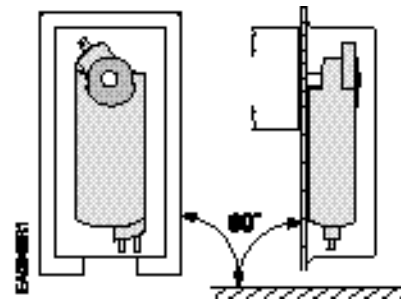


Figure 1. Actuator Mounting Position.

NOTE: NEMA 3R rating in this mounting position only.

1. Assemble Weather Shield base plate per instructions.
2. Mount heater thermostat over threaded studs on Weather Shield base plate using the nuts provided. See *Figure 3*.
3. Remove paper-backing strip from heater element.
4. With the front of the actuator facing you, affix the heater element to upper housing of the actuator on the right side. See *Figure 3*. No wire polarity is required for heater or thermostat.
5. Wire heater and thermostat, see *Figure 2*.
6. Assemble actuator per instructions.
7. Dress wires using provided wraps.
8. Finish Weather Shield installation.

The installation is now complete.

Wiring

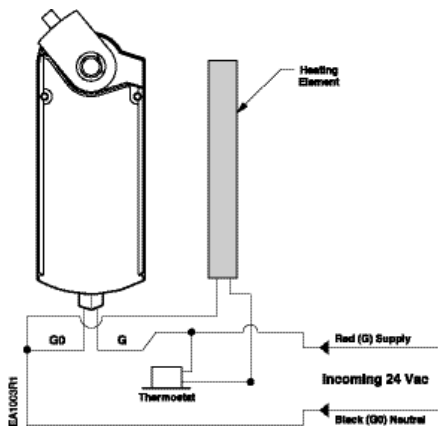


Figure 2. Wiring Diagram.

Operation

- Thermostat control: Heater turns on when ambient temperature drops to $10 \pm 5^\circ\text{F}$ (-9.4 to -15°C).
- Heater assembly guarantees proper actuator operation to -58°F (-50°C), when used with the Weather Shield assembly.

Troubleshooting

In the event of prolonged power outage and temperatures below -25°F :

- Once power is restored, it may take up to one hour for necessary temperature rise.
- Actuator power must be cycled off and on to allow resumption of the normal operating mode.

If heating element or thermostat become inoperable, replace with appropriate heater kit.

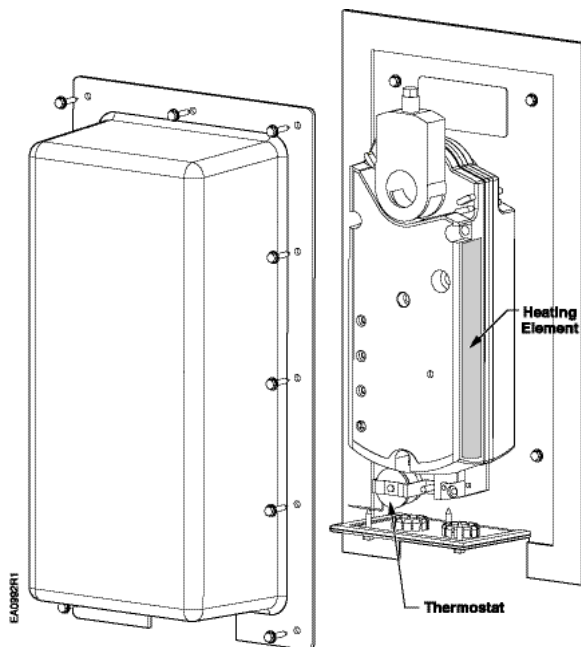


Figure 3.

Heating Element Mounting Position.

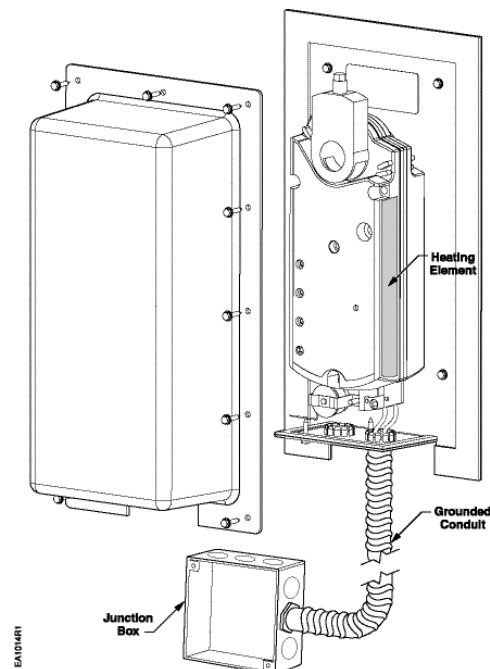


Figure 4.

Heating Element Mounting for Actuators With Auxiliary Switches.

Information in this publication is based on current specifications. The company reserves the right to make changes in specifications and models as design improvements are introduced. OpenAir is a trademark of Siemens Industry, Inc. Other product or company names mentioned herein may be the trademarks of their respective owners. © 2009 Siemens Industry, Inc.