

## Q-Series Relative Humidity and Temperature Sensors Replacement Tip

### Product Description



The Q-Series Relative Humidity and Temperature Sensors monitor and transmit changes in humidity and temperature to building control systems.

The duct and outdoor air/critical environment models with 2% humidity accuracy have serviceable sensing elements. The same tip is used in either 4 to 20 mA or 0 to 10 Volt signal versions.

### Product Number

AQF3150

### Warning/Caution Notations

<b>WARNING:</b>		Personal injury, or loss of life may occur if you do not follow the procedures as specified.
<b>CAUTION:</b>		Equipment damage, or loss of data may occur if you do not follow the procedures as specified.

### Required Tools

- Phillips screwdrivers, sizes 1 and 2
- Medium flat-blade screwdriver

### Expected Installation Time

10 minutes

### Prerequisites

- Previously installed 2% RH or RH/T Duct Sensor. (Product numbers QFA31xx and QFM31xx.)

### Installation



#### CAUTION:

Before proceeding, observe and follow all protocols for handling static sensitive electronics.

1. Unscrew the four screws that hold the sensor cover in place. Remove the sensor cover from the housing base. This disconnects the power from the sensor tip. (See Figure 1.)

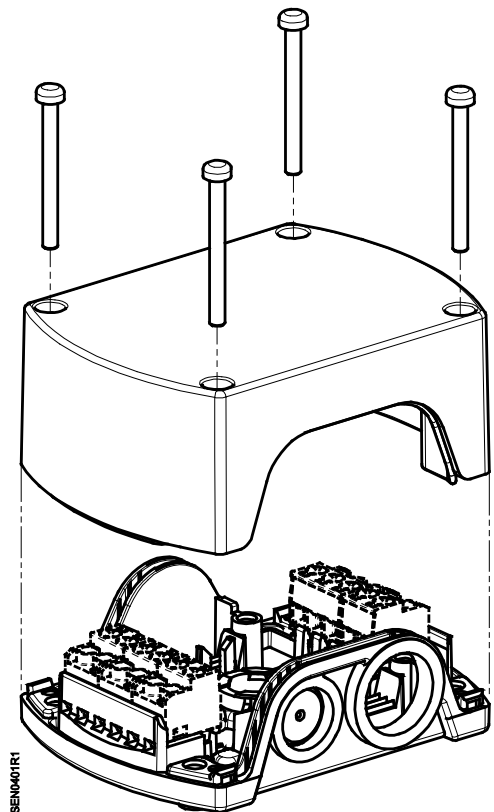


Figure 1.

2. Remove the base from the duct or wall.
3. Hold the sensor's mounting tube on the housing base securely and unscrew the old sensor tip from it. (See Figure 2.)

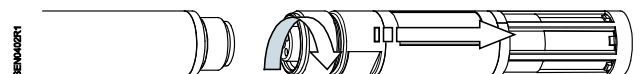


Figure 2.

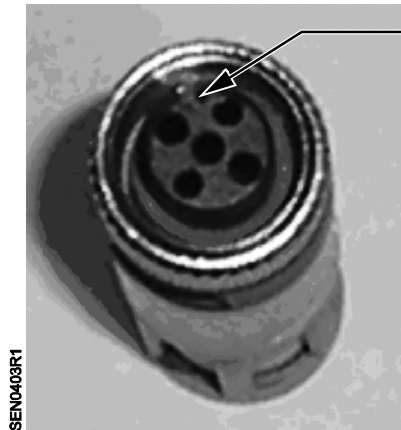
## Installation, Continued

4. Remove the new sensor tip from its antistatic bag.

**CAUTION:**



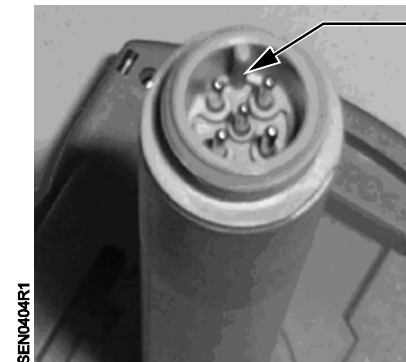
Handle the new sensor very carefully. The humidity sensing membrane and lead wires are very delicate.



**Alignment  
Notch**

5. Hold the sensor's mounting tube securely. Orient the alignment notch on the tip with the alignment guide on the tube and screw on the new sensor tip. (See Figure 3.)
6. Reinstall the sensor base to the duct or wall.
7. Reinstall the sensor housing with PCA onto the sensor base.

The installation is now complete.



**Alignment  
Guide**

**Figure 3.**

Information in this publication is based on current specifications. The company reserves the right to make changes in specifications and models as design improvements are introduced. Product or company names mentioned herein may be the trademarks of their respective owners. © 2009 Siemens Industry, Inc.