

Powermite AP 599 Series 2-inch Pneumatic Valve Actuator

Product Description

The Powermite AP 599 Series 2-inch pneumatic valve actuator is designed for use with the Powermite VF 599 Series terminal unit valves with a 7/32-inch (5.5mm) stroke.



Warning:

If mounting the actuator to a valve already in line, either close the shut-off valve in the piping (upstream first, then downstream) or switch off the pump to allow the differential and static pressure to drop.

Installation Conventions

Warning		Personal injury/loss of life may occur if a procedure is not performed as specified.
Caution		Equipment damage may occur if the user does not follow procedure as specified.

Product Numbers

599-01088

Required Tools and Material

These tools will be needed to remove an existing actuator.

Method 1

- 1/16-inch (1.5 mm) hex wrench

Method 2

- Phillips head screwdriver
- 1-1/4-inch (32 mm) socket wrench with extender

Estimated Installation Time

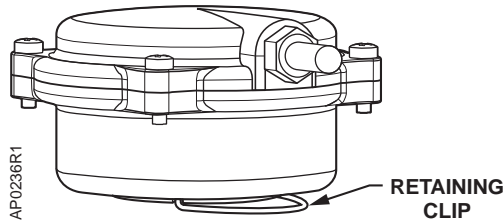
20 minutes

Prerequisites

Instructions

Removing an existing actuator from a valve

1. Remove and cap the air line to the actuator.



2. If there is a retaining clip on the actuator, unscrew the actuator from the valve. The retaining clip holds the lower housing and retaining ring together.

Choose one of the following methods for removing the actuator if there is no retaining clip present.

Method 1

1. Insert a hex wrench into the small slot in the lower housing.

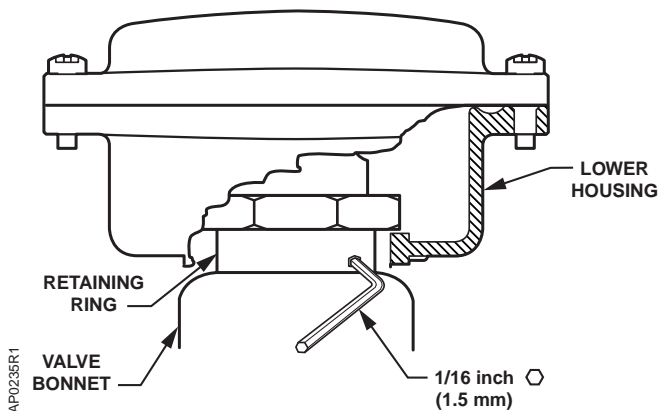


Figure 1. Securing the Retaining Ring before Removing the Actuator from a Valve.

2. Slowly rotate the lower housing to align the slot with the hole in the retaining ring. Insert the wrench in the retaining ring hole.
3. Leaving the wrench in place, unscrew the actuator from the valve.

Information in this publication is based on current specifications. The company reserves the right to make changes in specifications and models as design improvements are introduced. Product or company names mentioned herein may be the trademarks of their respective owners.
© 2009 Siemens Industry, Inc.

Method 2

1. Use a Philips head screwdriver to remove the four screws in the upper housing.
2. Remove the upper housing, diaphragm, and piston cup.
3. Use a 1-1/4 inch (32 mm) socket wrench with an extender to loosen the retaining nut.
4. Remove the retaining nut and the lower housing.

Mounting the actuator to a valve.

1. Remove the cardboard from the retaining ring in the lower housing.
2. Place the actuator on the valve bonnet and hand tighten.
3. If you need to change the orientation of the actuator, remove the retaining clip in the lower housing and rotate the actuator to the desired position.
4. Attach 1/4-inch poly tubing to the adapter.

The installation is now complete.

References

Technical Instruction

AP 599-4 Powermite AP 599 Series
2-inch Pneumatic Valve Actuator 155-189P25

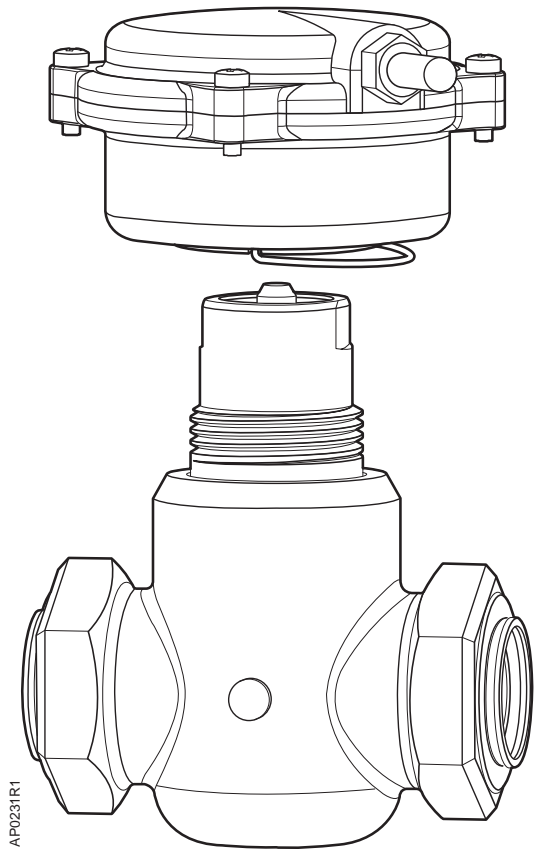


Figure 2. Two-inch Actuator and Powermite Valve.