



ASY97 Conduit Connector for SSA/P, SSB and SSD Actuators

Product Description

This conduit connector is designed to be used with the SSA..., SSB..., SSD..., and SSP actuators.

Installation Conventions

WARNING		Personal injury/loss of life may occur if a procedure is not performed as specified.
CAUTION		Equipment damage, or loss of data may occur if the user does not follow a procedure as specified.

Product Number

ASY97 (package of 1)

Required Tools

Small flat-blade screwdriver

Estimated Installation Time

10 minutes

Prerequisites



WARNING:

Disconnect the controller power before removing the installed terminal connector and attaching the conduit connector.

Instructions

If you are attaching the conduit connector to an actuator that is not currently wired, begin with the instructions in the *Attaching the Conduit Connector to the Actuator* section.

Removing the terminal connector from the actuator

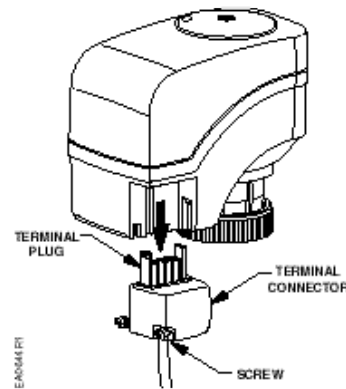


Figure 1.

1. Using a flat-blade screwdriver, loosen the terminal connector.
2. Separate the terminal connector and the terminal plug from the actuator.
3. Remove the terminal plug from the connector.
4. Disconnect the wires from the terminal plug. Save the terminal plug.

Attaching the Conduit Connector to the Actuator

1. Insert the wires or cable through the conduit connector.

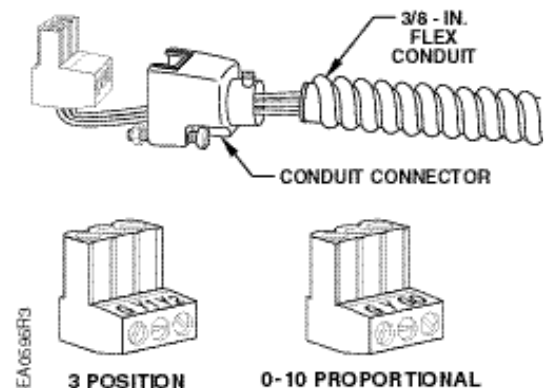


Figure 2.

2. Connect the wires to the terminal plug.



CAUTION:

Uninsulated wires must not touch the conduit connector.

3. Insert the terminal plug into the conduit connector.

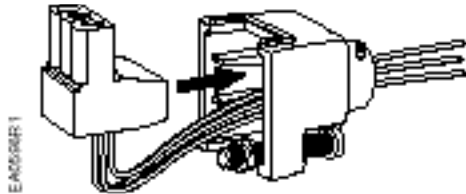


Figure 3.

4. Fasten the conduit to the conduit connector.

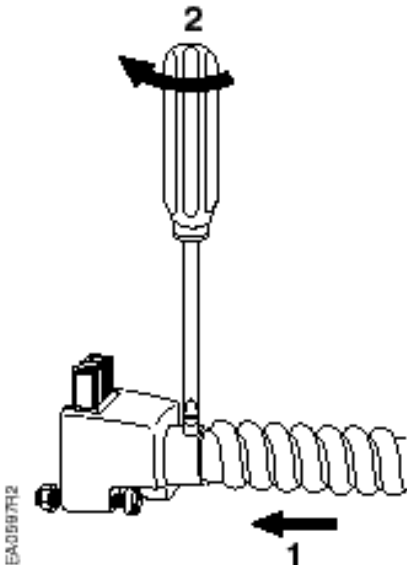


Figure 4.

5. Place the conduit connector and plug into the actuator. See *Figure 5*.

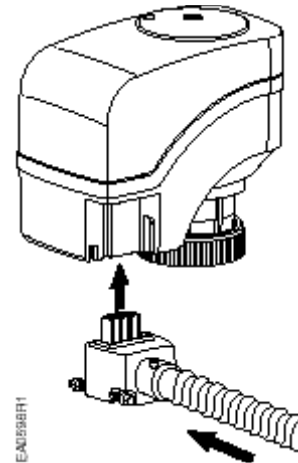


Figure 5.

6. Fit the nut into the recess in the bottom of the actuator.

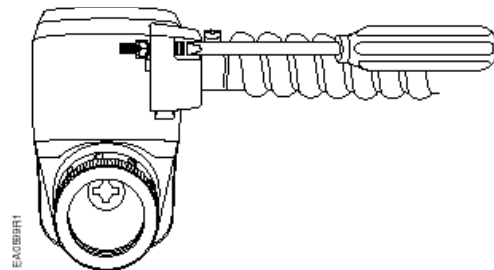


Figure 6.

7. With a screwdriver, tighten the screw to hold the connector in place.

The installation is complete

Reference

For wiring diagrams and mounting information, refer to the installation instructions.

Installation Instructions	
SSA/SSP...Electronic Valve Actuator	129-346
SSB... Electronic Valve Actuator	129-243
SSD...Electronic Valve Actuator	129-540