

599 Series Ball Valve Assembly Weather Shield

Product Description

The 599 Series Ball Valve Assembly Weather Shield provides additional protection against the elements for actuators in outdoor installations. The cover is easy to install, with all necessary hardware included in the assembly kit.

NOTES:

- This unit is approved for outdoor installation only when a weatherproof conduit connector is used.
- The weather shield provides NEMA 3R protection against rain, sleet and damage from external ice formation when installed in the orientation shown in Figure 2.


Contents

- 1 - Weather shield, bottom (with opening for valve)
- 1 - Weather shield, top
- 4 - UV resistant cable ties
- 4 - Retention screws

Product Number

599-10080

Caution Notation

CAUTION:		Equipment damage or loss of data may occur if you do not follow procedures as specified.
-----------------	---	--

Required Tools

- Conduit knockout punch
- No. 1 Phillips Screwdriver

Expected Installation Time

15 minutes

Installation

For 1/2" through 1-1/2" Ball Valves

NOTE: For 2" Ball Valves and existing installations, see *Retrofit Installations*

1. Using a conduit knockout punch, make a hole through the weather shield at the preferred conduit location.
2. Insert valve through the opening in the bottom half of the weather shield. See Figure 1.

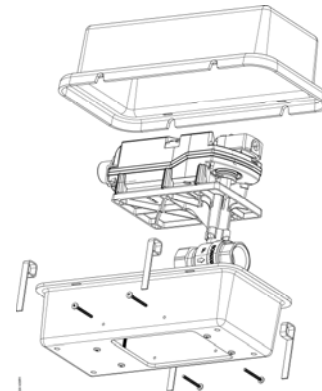


Figure 1.

3. Rest the ball valve bracket and actuator assembly between the four positioning screws protruding from the bottom of the weather shield.
4. Secure the weather shield in place by driving the four weather shield retention screws fully into the sides of the bottom half of the weather shield while holding it up against the bottom of the ball valve bracket. See Figure 1.

NOTE: The actuator and weather shield must be mounted vertically to ensure NEMA 3R rating. See Figure 2.



Figure 2. Acceptable Mounting Position.

5. Connect conduit to weather shield using a weatherproof conduit connection.
6. Wire actuator according to installation instructions.
7. Place top half of weather shield over the bottom half of installed weather shield.
8. Align holes in the weather shield halves' flanges and secure with four cable ties. See Figure 3.

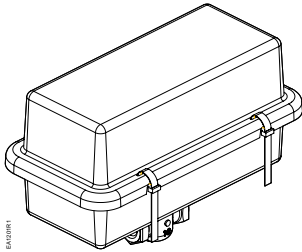


Figure 3. Installed Weather Shield.



CAUTION:

Over-tightening cable ties can damage the assembly.

The installation is now complete.

Retrofit Installations

For applications that are already installed (piped in):

1. Using a conduit knockout punch, make a hole through the weather shield at the preferred conduit location.
2. Remove the handle, actuator, and ball valve bracket from the valve.
3. Rest the bottom half of the weather shield on the ball valve.
4. Reassemble the ball valve bracket to the valve.
5. Reassemble the actuator to the Ball Valve Bracket Assembly.
6. Pull up the bottom half of the weather shield, aligning the Ball Valve Bracket Assembly between the four positioning screws protruding from the bottom of the weather shield.
NOTE: Do not reattach the handle.
7. Secure the weather shield in place by driving the four weather shield retention screws fully into the sides of the bottom half of the weather shield while holding it up against the bottom of the ball valve bracket.
8. Place the handle and handle screw in the bottom of the weather shield housing (may be needed for future use).
9. Follow Steps 5 through 8 of *Installation for 1/2" through 1-1/2" Ball Valves*.

Information in this publication is based on current specifications. The company reserves the right to make changes in specifications and models as design improvements are introduced. Other product or company names mentioned herein may be the trademarks of their respective owners.
© 2013 Siemens Industry, Inc.