

Panel Adapter Kit - Mounting Instructions

Introduction

The Panel Adapter is intended to replace the standard keypad in cases where keypad is not needed. The Panel Adapter is Type 12/IP54 protected.

For the installation, you need the following parts included in the delivery. **Make sure that you have received all necessary parts!**

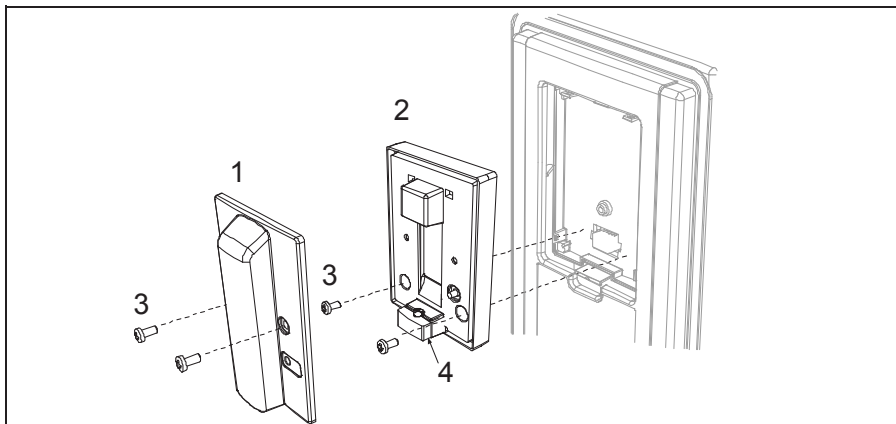


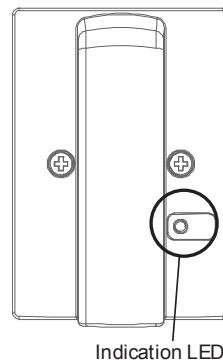
Figure 1. Panel adapter mounting kit

1. Cover A
2. Cover B
3. Screws PT3.5 x 8 (4 pcs)
4. Foam rubber gasket

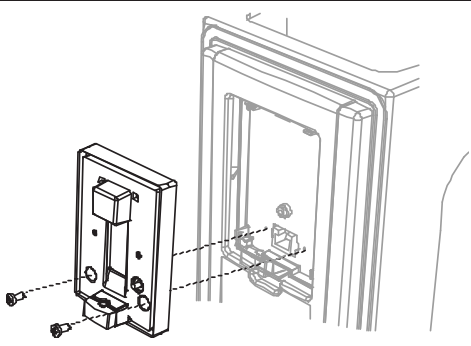
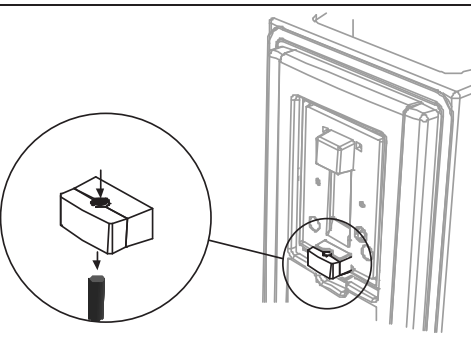
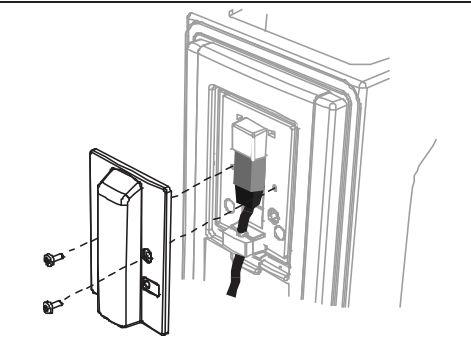
Indication LED

The LED on the Panel adapter gives indications about the status of the drive. Note the location of the LED in picture to the right.

| LED indication | Meaning |
|----------------------------------|---|
| Blinking slow (1 s ON - 1 s OFF) | Drive works normally (software running) |
| Blinking fast | Software is loading |



Mounting procedure

| | | |
|---|---|---|
| <p style="text-align: center; font-size: 2em; font-weight: bold;">1</p> | <p>Attach the transparent cover B to the keypad base using the two screws provided. Tighten the screws to max. 1 Nm (8.85 lbf-in).</p> |  |
| <p style="text-align: center; font-size: 2em; font-weight: bold;">2</p> | <p>If a connection cable for the keypad is needed detach the foam rubber gasket from the cover and punch out the cylinder-formed piece of foam rubber in order to open way for the cable. The gasket can then be split into two pieces.</p> |  |
| <p style="text-align: center; font-size: 2em; font-weight: bold;">3</p> | <p>Then attach the black cover A with the two screws provided. Tighten the screws to max. 1 Nm (8.85 lbf-in).</p> |  |

Information in this document is based on specifications believed correct at the time of publication. The right is reserved to make changes as design improvements are introduced. Product or company names mentioned herein may be the trademarks of their respective owners.
© 2013 Siemens Industry, Inc.

Siemens Industry, Inc.
Building Technologies Division
1000 Deerfield Parkway
Buffalo Grove, IL 60089-4513
USA
1-847-215-1000

Your feedback is important to us. If you have comments about this document, please send them to sbt_technical.editor.us.sbt@siemens.com.

