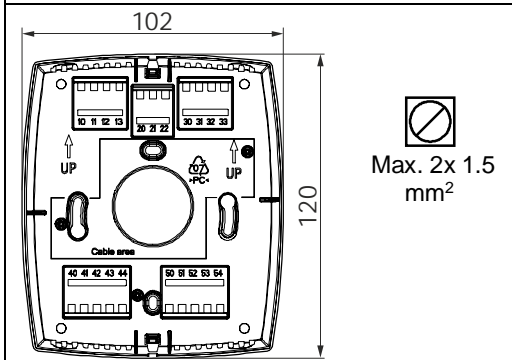
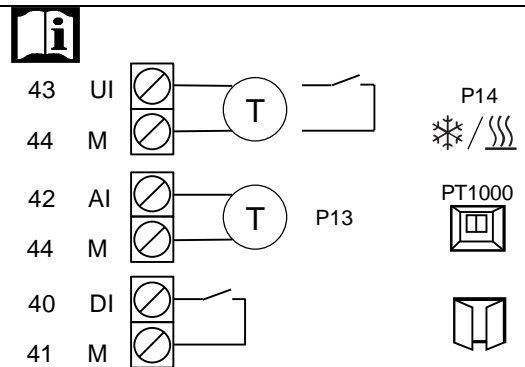
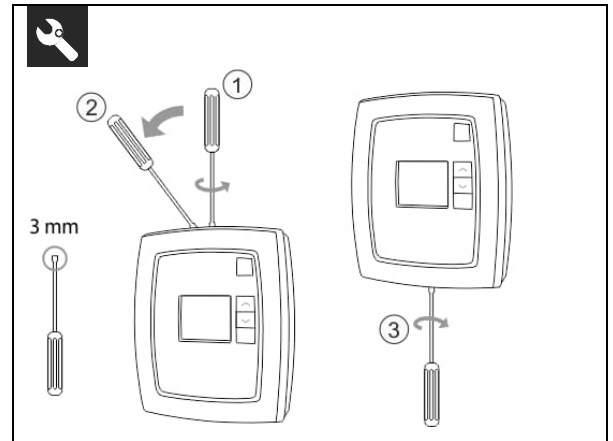
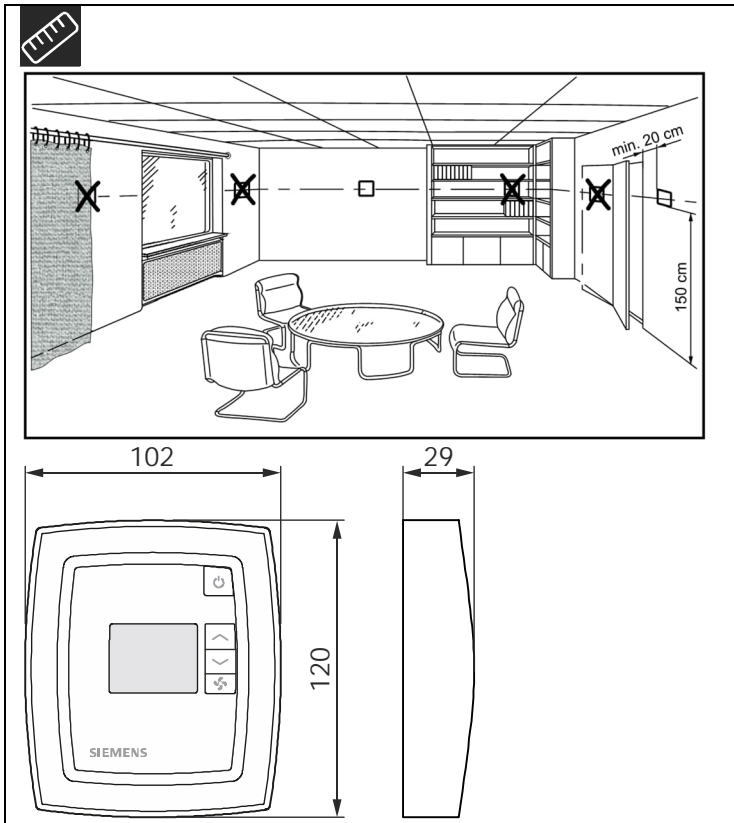
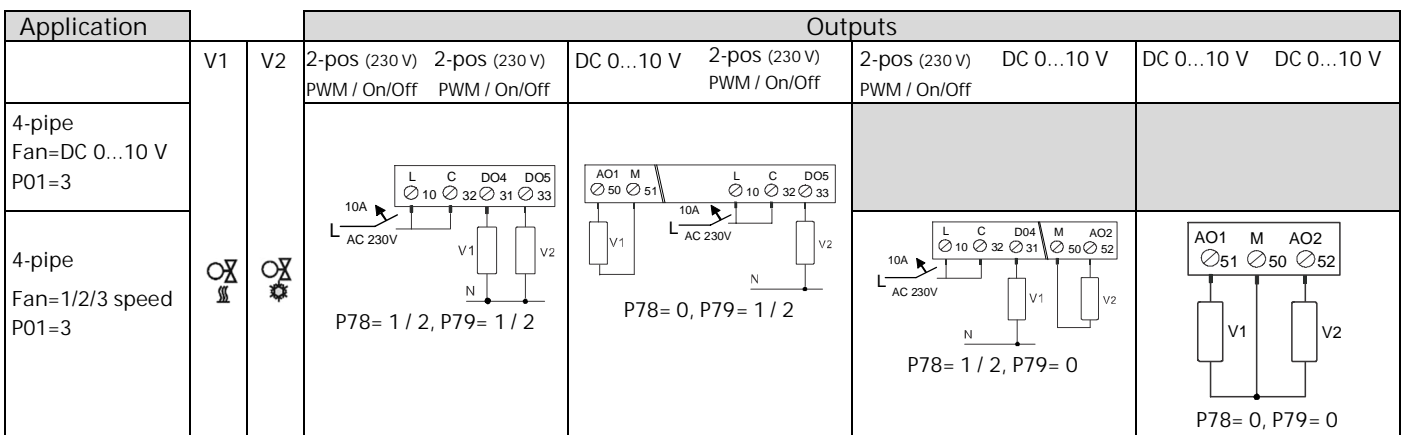
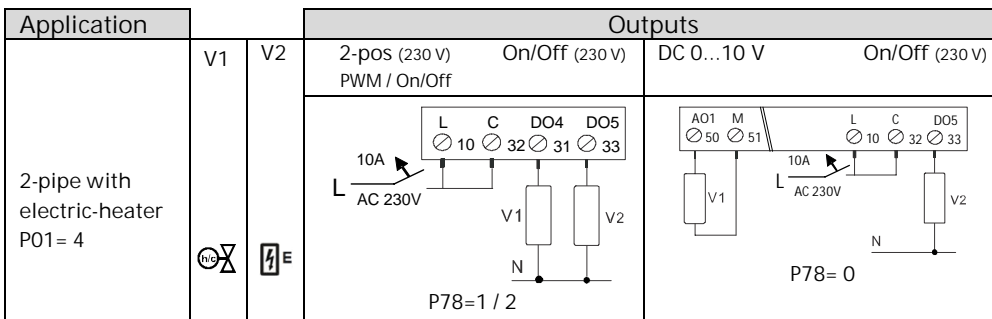
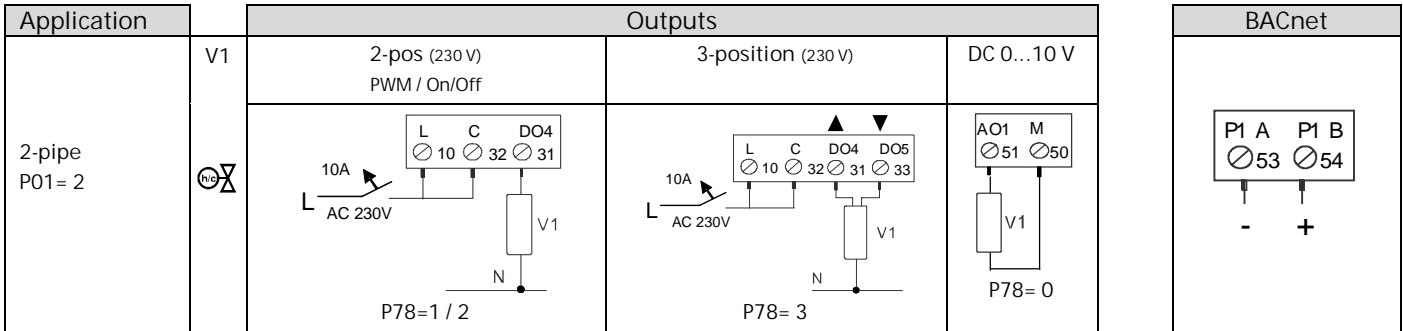
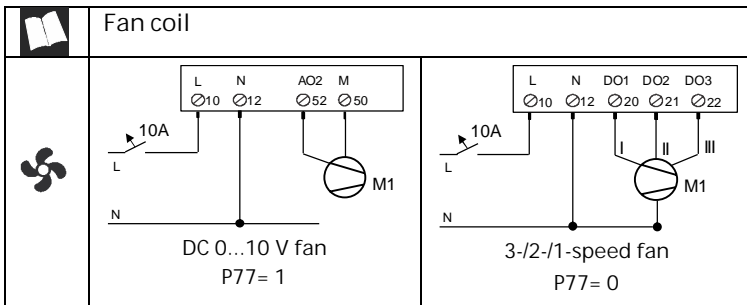


- en** Mounting instructions
- de** Montageanleitung
- zh** 安装指南
- tr** Montaj talimatları

## RDB160BN

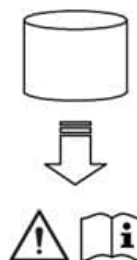


en	de	tr	zh
2-pipe fan coil	2-Rohr Ventilator-konvektor	2 borulu fan coil	两管制风机盘管
2-pipe & el. heater	2-Rohranwendung mit Elektroheizung	2 boru & elek. ısıtıcı	带电加热的两管制风机盘管
4-pipe fan coil	4-Rohr Ventilator-konvektor	4 borulu fan coil	四管制风机盘管



Issued by  
Siemens Switzerland Ltd  
Smart Infrastructure  
Global Headquarters  
Theilerstrasse 1a  
CH-6300 Zug  
Switzerland  
Tel. +41 58-724 24 24  
[www.siemens.com/buildingtechnologies](http://www.siemens.com/buildingtechnologies)

<http://www.siemens.com/btproduct?RDB160BN>



© Siemens Switzerland Ltd, 2019  
Subject to change