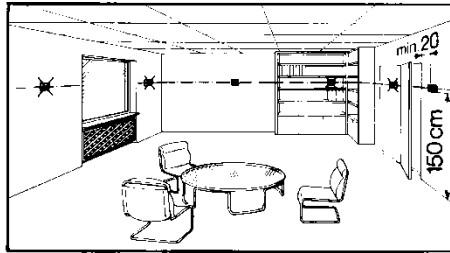
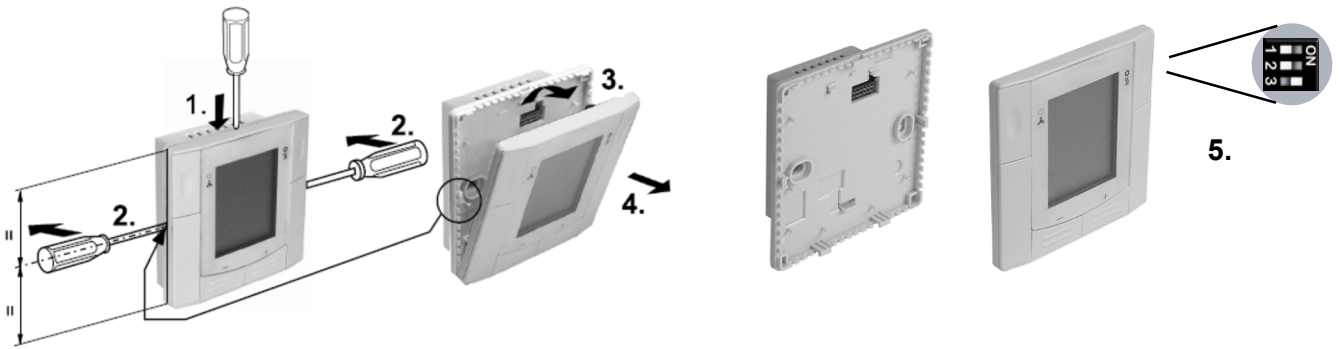


RDF302
RDF302/VB
RDF302.B

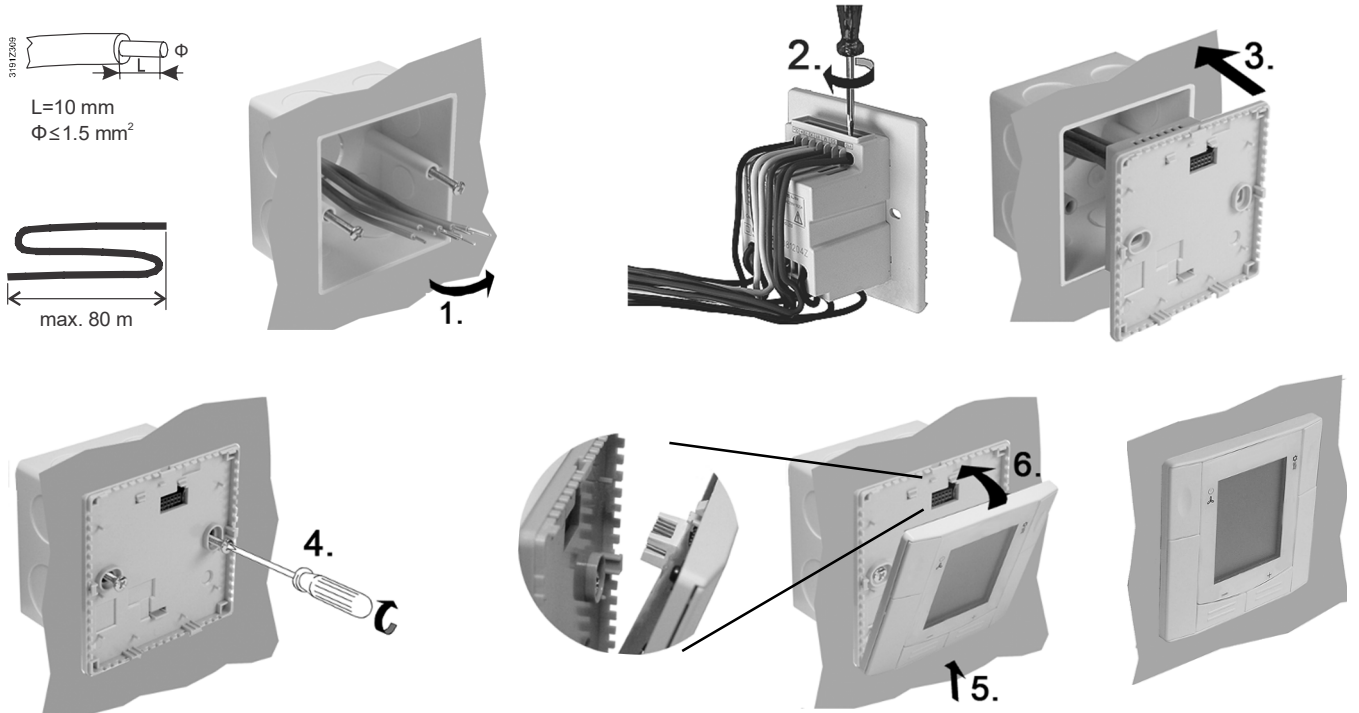
Mounting Location of Thermostat / Montageort des Thermostaten / 温控器安装位置 / Termostatın Montaj Yeri



Preparation and Deliverables / Vorbereitung und durchzuführende Arbeiten / 安装前准备 / Hazırlık ve Ürünle Gelenler



Flush-Mounting / Unterputz-Montage / 嵌入式安装 / Gömme Montaj



Wiring Diagrams / Anschluss Schaltpläne / 接线图 / Kablolama diyagramları

<p>Application Anwendung 应用 Uygulama</p>	<p>AC 230 V</p> <p>△ L-N, Y11/Y21 AC 230 V</p>	<p>AC 230 V</p> <p>△ L-N, Y11/Y21 AC 230 V</p>	<table border="1"> <thead> <tr> <th></th> <th>en</th> <th>de</th> </tr> </thead> <tbody> <tr> <td>N1</td> <td>RDF302</td> <td>RDF302</td> </tr> <tr> <td>M1</td> <td>3-speed fan</td> <td>3-stufiger Ventilator</td> </tr> <tr> <td>V1,V2</td> <td>Valve</td> <td>Ventil</td> </tr> <tr> <td>C1,C2</td> <td>Compressor</td> <td>Kompressor</td> </tr> <tr> <td>E1</td> <td>Electrical heater</td> <td>El. Heizung</td> </tr> <tr> <td>S1</td> <td>Operating mode switch-over contact (e.g. key card)</td> <td>Betriebsart-Umschalter (z.B. Zugangskarte)</td> </tr> <tr> <td>B2</td> <td>External room / return air temperature sensor</td> <td>Externer Raum- / Rückluft-Temperatur-Fühler</td> </tr> </tbody> </table>		en	de	N1	RDF302	RDF302	M1	3-speed fan	3-stufiger Ventilator	V1,V2	Valve	Ventil	C1,C2	Compressor	Kompressor	E1	Electrical heater	El. Heizung	S1	Operating mode switch-over contact (e.g. key card)	Betriebsart-Umschalter (z.B. Zugangskarte)	B2	External room / return air temperature sensor	Externer Raum- / Rückluft-Temperatur-Fühler
	en	de																									
N1	RDF302	RDF302																									
M1	3-speed fan	3-stufiger Ventilator																									
V1,V2	Valve	Ventil																									
C1,C2	Compressor	Kompressor																									
E1	Electrical heater	El. Heizung																									
S1	Operating mode switch-over contact (e.g. key card)	Betriebsart-Umschalter (z.B. Zugangskarte)																									
B2	External room / return air temperature sensor	Externer Raum- / Rückluft-Temperatur-Fühler																									
<p>2-pipe 2-Rohr 两管制 2 boru</p> <p>en de zh tr</p>	<p>2-pipe & el. heater 2-Rohr & el. Heizung 两管制, 带电加热 2 boru ve elektrikli ısıtıcı</p> <p>AC 230 V</p> <p>△ L-N, Y11/Y21 AC 230 V</p>	<p>AC 230 V</p> <p>△ L-N, Y11/Y21 AC 230 V</p>	<table border="1"> <thead> <tr> <th></th> <th>zh</th> <th>tr</th> </tr> </thead> <tbody> <tr> <td>N1</td> <td>RDF302</td> <td>RDF302</td> </tr> <tr> <td>M1</td> <td>三速风机</td> <td>3 hızlı fan</td> </tr> <tr> <td>V1,V2</td> <td>阀门</td> <td>Vaif</td> </tr> <tr> <td>C1,C2</td> <td>压缩机</td> <td>Kompresör</td> </tr> <tr> <td>E1</td> <td>电加热</td> <td>Elektrikli ısıtıcı</td> </tr> <tr> <td>S1</td> <td>工作模式转换开关 (例如: 门卡)</td> <td>Çalışma modu geçiş kontağı (ör. anahtar kartı)</td> </tr> <tr> <td>B2</td> <td>外置/回风温度传感器</td> <td>Harici oda / dönüş havası sıcaklık sensörü</td> </tr> </tbody> </table>		zh	tr	N1	RDF302	RDF302	M1	三速风机	3 hızlı fan	V1,V2	阀门	Vaif	C1,C2	压缩机	Kompresör	E1	电加热	Elektrikli ısıtıcı	S1	工作模式转换开关 (例如: 门卡)	Çalışma modu geçiş kontağı (ör. anahtar kartı)	B2	外置/回风温度传感器	Harici oda / dönüş havası sıcaklık sensörü
	zh	tr																									
N1	RDF302	RDF302																									
M1	三速风机	3 hızlı fan																									
V1,V2	阀门	Vaif																									
C1,C2	压缩机	Kompresör																									
E1	电加热	Elektrikli ısıtıcı																									
S1	工作模式转换开关 (例如: 门卡)	Çalışma modu geçiş kontağı (ör. anahtar kartı)																									
B2	外置/回风温度传感器	Harici oda / dönüş havası sıcaklık sensörü																									
<p>4-pipe 4-Rohr 四管制 4 boru</p> <p>en de zh tr</p>	<p>AC 230 V</p> <p>△ L-N, Y11/Y21 AC 230 V</p>	<p>AC 230 V</p> <p>△ L-N, Y11/Y21 AC 230 V</p>	<table border="1"> <thead> <tr> <th>#</th> <th>RDF302 RDF302/VB</th> <th>RDF302.B</th> </tr> </thead> <tbody> <tr> <td>L, N</td> <td>√</td> <td>√</td> </tr> <tr> <td>X1, X2</td> <td>√</td> <td>X</td> </tr> <tr> <td>M</td> <td>√</td> <td>X</td> </tr> <tr> <td>REF</td> <td>√</td> <td>√</td> </tr> <tr> <td>Q1, Q2, Q3</td> <td>√</td> <td>√</td> </tr> <tr> <td>Y11</td> <td>√</td> <td>√</td> </tr> <tr> <td>Y21</td> <td>√</td> <td>√</td> </tr> </tbody> </table>	#	RDF302 RDF302/VB	RDF302.B	L, N	√	√	X1, X2	√	X	M	√	X	REF	√	√	Q1, Q2, Q3	√	√	Y11	√	√	Y21	√	√
#	RDF302 RDF302/VB	RDF302.B																									
L, N	√	√																									
X1, X2	√	X																									
M	√	X																									
REF	√	√																									
Q1, Q2, Q3	√	√																									
Y11	√	√																									
Y21	√	√																									
<p>2-pipe, 3 position output 2-Rohr, 3-Punkt-Ausgang 两管制, 三位控制输出 2 borulu, 3 konumlu çıkış</p> <p>en de zh tr</p>	<p>AC 230 V</p> <p>△ L-N, Y11/Y21 AC 230 V</p>	<p>Control sequence / Steuersequenz / 选择控制序列 / Kontrol sırası</p>																									

Dimensions / Abmessungen / 尺寸 / Boyutlar

